

WHEEL HUB INSERTER

NH-924FS (Full set for Isuzu cars; 6-item attachment set)
NH-924S (For 4-ton Isuzu cars; 3-item attachment set)

Wheel hubs (bearings) on 4-ton to large-sized Isuzu cars, which are difficult to install because they are integrated with the bearings, can now be easily installed (press-fitted) using a manual handle or ratchet handle. Not only does this mean no more hazardous pounding with large hammers, but work time is significantly reduced, and installment problems can be avoided.

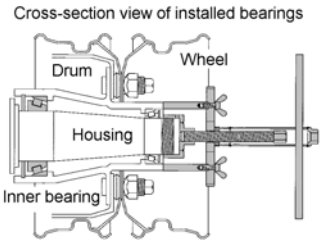
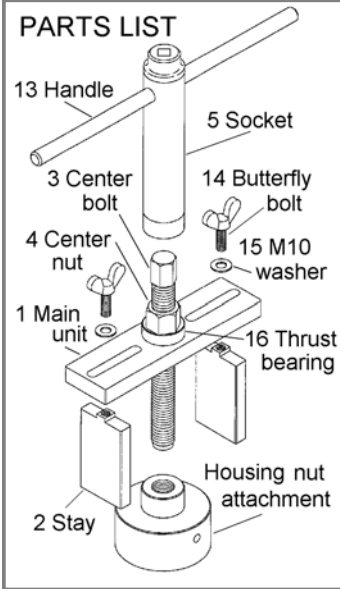
No more dangerous pounding with big hammers!!



To protect the sensor on cars with an ABS, we strongly recommend using this NH-924.



A standard set of attachments for Isuzu cars is available, as well as optional attachments for cars of other makers.



Attachment Applicability Table (F = Front, R = Rear)

Size/Appl	Isuzu	Fuso	Hino	Nissan UD
M90 x P2.0		Large-sized/R		
M88 x P2.0	Large-sized/R			
M85 x P2.0		8-ton/R	Large-sized/R	
M84 x P2.0				Large-sized/R
M82 x P2.0	Large-sized/R			
M74 x P2.0	6-ton/R			
M72 x P2.0				6-ton R
M65 x P2.0		4-ton/R	4-ton/R	
M64 x P2.0	4-ton/R			4-ton/R
M52 x P2.0				LW46/F
M48 x P1.5	Large-sized/F			
M45 x P2.0		Large-sized/F		Large-sized/F
M39 x P1.5	4-ton/F	FS/F	Large-sized/F	
M36 x P1.5		4-ton/F		4-ton/F
M33 x P1.5			4-ton/F	
	NH-924FS		Optional	