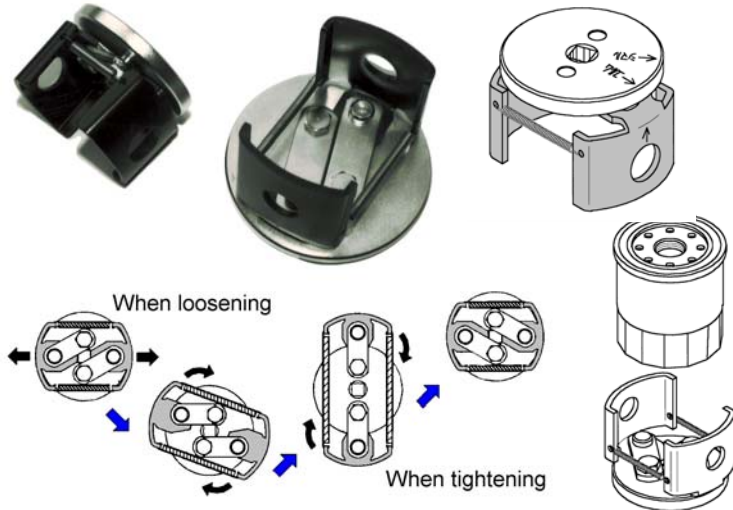
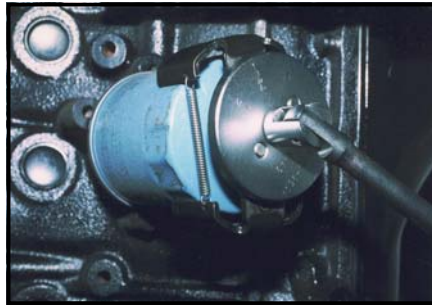


OIL FILTER WRENCH

MD-950A/B

Long-awaited adjustable oil filter wrench with a retightening function
Grasps the filter securely in either rotation direction, simply by reversing the hook setting positions.
Slim design enables use in narrow spaces.

Applicable outer diameter:
60 ~ 90 (950A)
90 ~ 120 (950B)



Part names and code numbers

