

WHEEL HUB PULLER

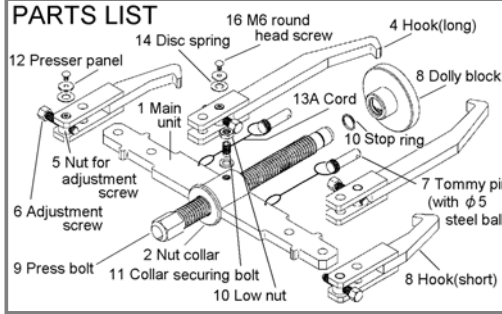
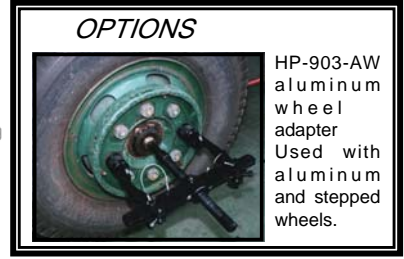
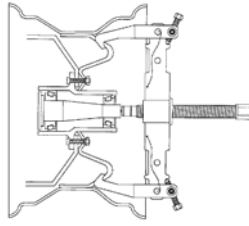
HP-903

Hubs can easily be removed one wheel at a time.

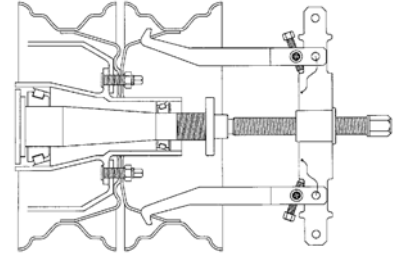
Only one tool required for both front and rear hubs on 4-ton to large-sized vehicles!

Works on tubeless wheels also!

Adapter (HP-903-AW, sold separately) available for aluminum wheels.



With front wheels



With rear double-tire wheels