

## HOUSING CAP

# HC-98S/M/L

This is a protective cap for wheel bearings on 4-ton to large-sized vehicles. It helps to keep out water during steam cleaning, and to prevent dust from adhering to bearings.

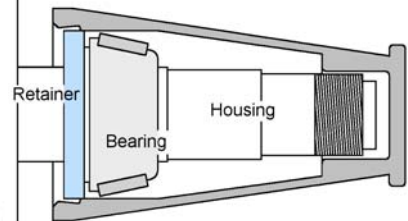
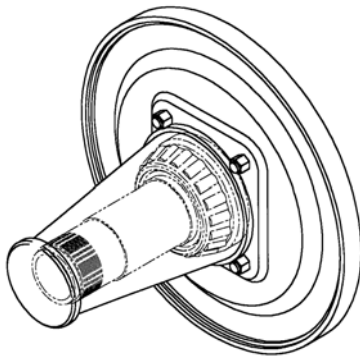
This product is generally designed for wheel bearing retainer sizes of ordinary vehicles, and cannot be used with some models (Isuzu cars, some medium-sized vehicles, etc.) that are not listed below.

HC-98S: For 4t front ( 100 ~ 102)

HC-98M: For both 4t rear and large-sized front ( 127 ~ 138)

HC-98L: For large-sized rear ( 153 ~ 159)

- \* When used on front wheel bearings, the fit is very tight, so some of the air should be let out, to deflate the center section before the cap is installed.
- \* On vehicles where the installation is somewhat loose, fitting the cap in place with the lock nut attached provides better stability in some cases.
- \* The cap covers the bearing and retainer section. Depending on the vehicle model, there may be some looseness, or the installation may be somewhat stiff and inflexible.



yes,  
with one product per package. The  
required number of packages should be  
purchased.

- The product is made of nitrile rubber (NBR: Black), with a rigidity of 55. It is heavy enough to provide secure protection.